

- Extra reinforced steel cast body.
- Lightweight and strong design.
- 100% Holding negative-acting hydraulic brake system.
- Standard pressure roller and roller fairlead.
- Easy assembly, high rope capacity and high torque hydromotor
- Standard manual rope unloading system
- CE Machinery Directive 2006/42/EC
- Meets SAE J706 rating

## Specifications

<b>Max. pulling capacity (kg / lbs)</b>	: 10000 kg ( 22040 lbs )
<b>Max. rope length (m / ft)</b>	: 33 m ( 108.2 ft )
<b>Recommended wire rope (mm / in)</b>	: 16 mm ( 7/11" ) 1960Mpa
<b>Hydromotor (cc / in<sup>3</sup>)</b>	: 160cc (10 in <sup>3</sup> )
<b>Max. pump flow (L / min - g / min)</b>	: 60 L ( 15.8 g )
<b>Gear ratio</b>	: 28 : 1
<b>Oil types and capacity</b>	: 85W 90 - 2L
<b>Max. working pressure (bar / psi)</b>	: 145 bar (2103 psi)

Rope Winding Layer	Pulling Capacity kg / lbs	Rope Speed m / min- ft / min	Rope Length m / ft
1	10000 kg / 22040 lbs	6.3m/min-20.6ft/min	6.3 m / 20.6 ft
2	8502 kg / 18739 lbs	7.4m/min-24.2ft/min	13.8m / 45.2ft
3	7394 kg / 16298 lbs	8.5m/min-27.9ft/min	22.7m/74.4ft
4	6542 kg / 14420 lbs	9.6m/min-31.5ft/min	33m/108.2ft

### Winch : (kg / lbs )

159 kg (350 lbs)

### Roller Fairlead : ( kg / lbs )

18 kg (39,6 lbs)

### Cable Tensioner : ( kg / lbs )

8 kg (17,6 lbs)

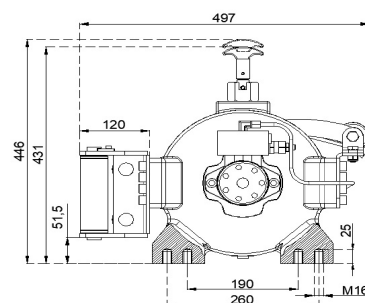
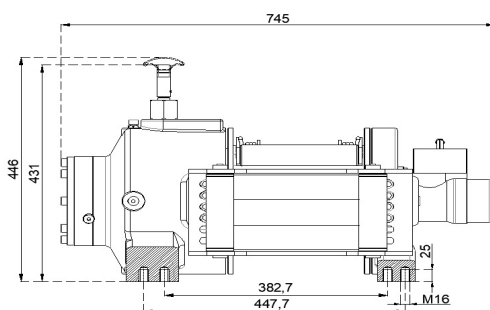
### Mounting Bolts

16 pieces M16 8,8

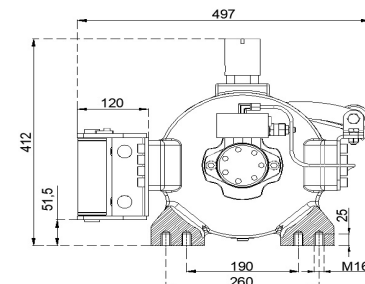
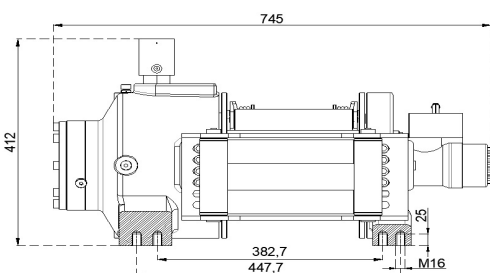
### Standards Hydraulic Inlets

Cable tensioner G 1/2"  
Roller Fairlead  
Manual Clutch

### Manual Clutch



### Air Clutch



### Optional

Air Clutch  
IP67 - IP 68  
Pneumatic Cable Tensioner

### Warning !

- Before operating the winch, A-B lines must be open to T line (tank line) of the control valve in center position.
- This winch is designed and manufactured for pulling, don't lift person or material.
- Always keep last 5 wrap on the drum.
- The technical details given above are just for information.
- HAMMER WINCH keeps the right to change the technical details.
- Pneumatic working pressure: Min 9 bar - Max 12 bar ( Min 130 psi - Max 174 psi)