

- Extra reinforced steel cast body.
- Lightweight and strong design.
- 100% Holding negative-acting hydraulic brake system.
- Standard pressure roller and roller fairlead.
- Easy assembly, high rope capacity and high torque hydromotor.
- Standard manual rope unloading system.
- CE Machinery Directive 2006/42/EC
- Meets SAE J706 rating

## Specifications

<b>Max.pulling capacity (kg / lbs)</b>	: 12000 kg (26450 lbs)
<b>Max.rope length (m / ft)</b>	: 51.3m (168.2 ft)
<b>Recommended wire rope (mm / in)</b>	: 16 mm ( 7/11" ) 1960Mpa
<b>Hydromotor (cc / in³)</b>	: 200cc (12 in³)
<b>Max. pump flow (L/ min - g / min)</b>	: 60 L/min (15.8 g/min)
<b>Gear ratio</b>	: 28 : 1
<b>Oil types and capacity</b>	: 85W 90 - 2L
<b>Max. working pressure (bar / psi)</b>	: 135bar (1958 psi)

Rope Winding Layer	Pulling Capacity kg / lbs	Rope Speed m / min- ft / min	Rope Length m / ft
1	12000 kg / 26450 lbs	5 m/min - 16.5 ft/min	10.2 m / 33.5 ft
2	10203 kg / 22489 lbs	5.9 m/min - 19.4 ft/min	21.9 m / 71.8 ft
3	8874 kg / 19560 lbs	6.8 m/min - 22.3 ft/min	35.8 m / 117.4 ft
4	7852 kg / 17306 lbs	7.7 m/min - 25.2 ft/min	51.3 m / 168.2 ft

### Winch : (kg / lbs )

185 kg (408 lbs)

### Roller Fairlead : ( kg / lbs )

18 kg (39,6 lbs)

### Cable Tensioner : ( kg / lbs )

8 kg (17,6 lbs)

### Mounting Bolts

16 pieces M16 8,8

### Standards

Cable tensioner  
Roller Fairlead  
Manual Clutch

### Hydraulic Inlets

G 1/2"

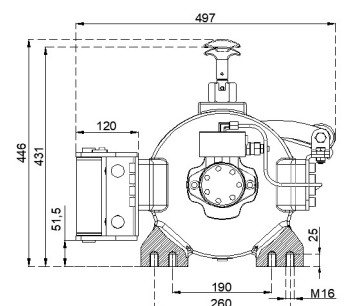
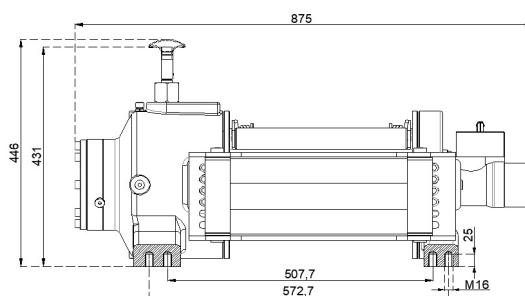
### Optional

Air Clutch  
IP67 - IP 68  
Pneumatic Cable Tensioner

### Warning !

- Before operating the winch, A-B lines must be open to T line (tank line) of the control valve in center position.
- This winch is designed and manufactured for pulling, don't lift person or material.
- Always keep last 5 wrap on the drum.
- The technical details given above are just for information.
- HAMMER WINCH keeps the right to change the technical details.  
Pneumatic working pressure: Min 9 bar - Max 12 bar  
(Min 130 psi - Max 174 psi)

### Manual Clutch



### Air Clutch

