

- Extra reinforced steel cast body.
- Lightweight and strong design.
- 100% Holding negative-acting hydraulic brake system.
- Standard pressure roller and roller fairlead.
- Easy assembly, high rope capacity and high torque hydromotor.
- Standard manual rope unloading system.
- CE Machinery Directive 2006/42/EC
- Meets SAE J706 rating

Specifications

- Max. pulling capacity** : 30000 kg (66120 lbs)
- Max. rope length** : 80m (262 ft)
- Recommended wire rope** : 26 mm (1") 1960Mpa
- Hydromotor** : 100cc (6 in³)
- Max. pump flow** : 60 L/min (15.8 g/min)
- Gear ratio** : 234 : 1
- Oil types and capacity** : 85W 140 - 16L
- Max. working pressure** : 170 bar (2465 psi)

Winch : (kg / lbs)
738.3 kg (1627.2 lbs)

Roller Fairlead : (kg / lbs)
50 kg (110.2 lbs)

Cable Tensioner : (kg / lbs)
12 kg (26.4 lbs)

Mounting Bolts : (kg / lbs)
20 pieces M22 8,8

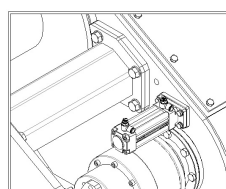
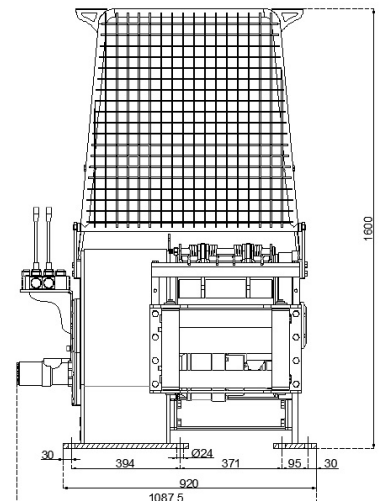
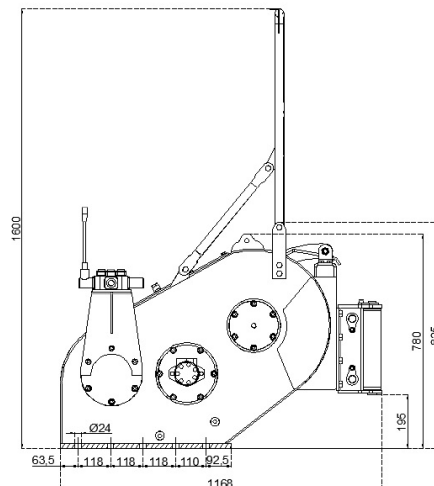
Standards Hydraulic Inlets
Cable tensioner G 1/2"
Roller Fairlead

Optional
IP67 - IP 68

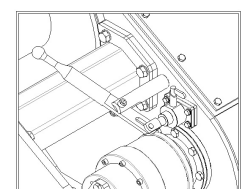
Warning !

- Before operating the winch, A-B lines must be open to T line (tank line) of the control valve in center position.
- This winch is designed and manufactured for pulling, don't lift person or material.
- Always keep last 5 wrap on the drum.
- The technical details given above are just for information.
- HAMMER WINCH keeps the right to change the technical details.
- Pneumatic working pressure : Min 9 bar - Max 12 bar (Min130 psi - Max 174 psi)
- Do not pull a load in fast rope winding mode as the brake system is not activated!

Rope Winding Layer	Pulling Capacity kg / lbs	Rope Speed m / min- ft / min	Rope Length m / ft	No-load fast winding m / min
1	30000 kg / 66120 lbs	1.7 m/min - 5.6 ft/min	9.3 m / 30.3 ft	15 m/min - 49 ft/min
2	24959kg / 55010 lbs	2 m/min - 6.7 ft/min	19.5 m / 64 ft	18 m/min - 58 ft/min
3	21368 kg / 47096 lbs	2.4 m/min - 7.8 ft/min	32.5 m / 106.6 ft	21 m/min - 68 ft/min
4	18681 kg / 41173 lbs	2.7 m/min - 9 ft/min	46 m / 151.5 ft	24 m/min - 78 ft/min
5	16594 kg / 36573 lbs	3 m/min - 10 ft/min	63 m / 206 ft	27 m/min - 88 ft/min
6	14926 kg / 32898 lbs	3.4 m/min - 11.2 ft/min	80 m / 262 ft	30 m/min - 98 ft/min



Activating or deactivating the high speed winding/unwinding mode pneumatically.



Activating or deactivating the high speed winding/unwinding mode manually.